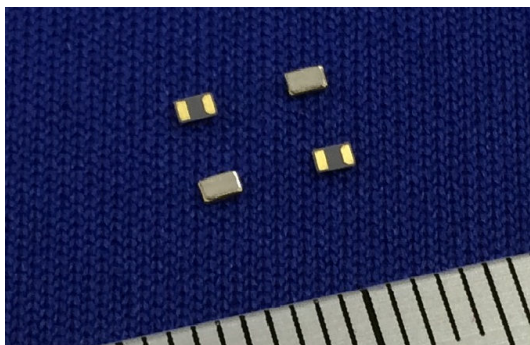


SC-16S



Features

- Suitable for high density surface mounting
- Excellent shock and heat resistance
- Complete Pb-free
- A crystal resonator processed by high reliable photolithographic technology inside.

Applications

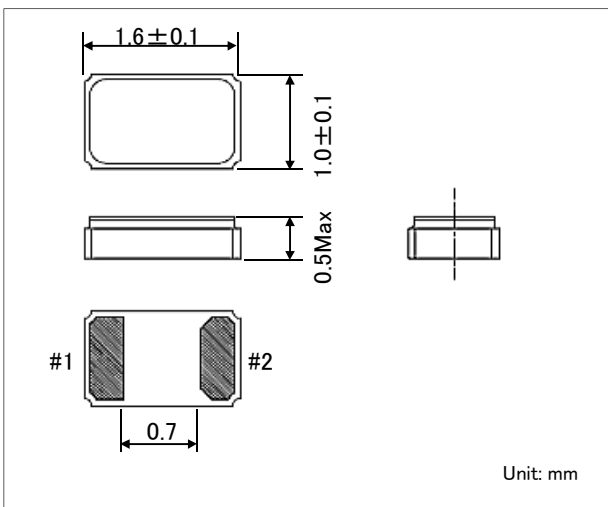
Cellular Phones, PHS, PDA, DSC, Car Audio, GPS Module, Small communications device, Sub-clock function for a variety of Micro-Controllers

Standard Specifications

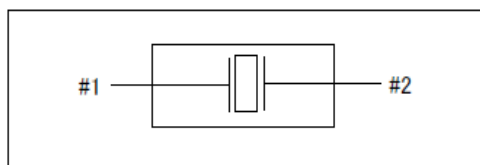
Conditions where not specified (Temperature: 25±2°C, DL;0.1μW)

Item	Symbol	Specifications	Condition Note
Nominal Frequency	f_nom	32.768kHz	
Frequency Tolerance	f_tol	±20×10 ⁻⁶	
Turnover Temperature	Ti	+25±5°C	
Parabolic Coefficient	B	(-0.035±10%)×10 ⁻⁶ /°C ²	
Load Capacitance	CL	7pF, 9pF, 12.5pF	
Motional Resistance (ESR)	R1	90kΩ Max.	
Absolute Max. Drive Level	DI _{max}	0.5μW Max.	
Drive Level	DL	0.1μW typ.	
Shunt Capacitance	C0	1.1pF typ.	
Frequency Ageing	f_age	±3×10 ⁻⁶ /year	+25±3°C, First year
Operating Temperature	T_use	-40~+85°C	
Storage Temperature	T_stg	-55~+125°C	Piece part basis

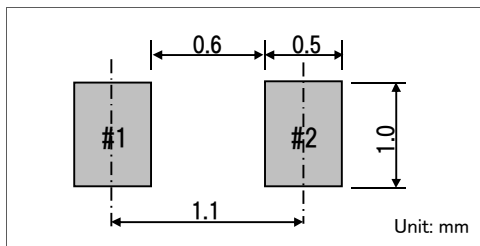
Dimension



Internal Lead Conditions



Recommended Soldering Pattern



Remark: Please make sure that there is no pattern under SC-16S on the circuit board.